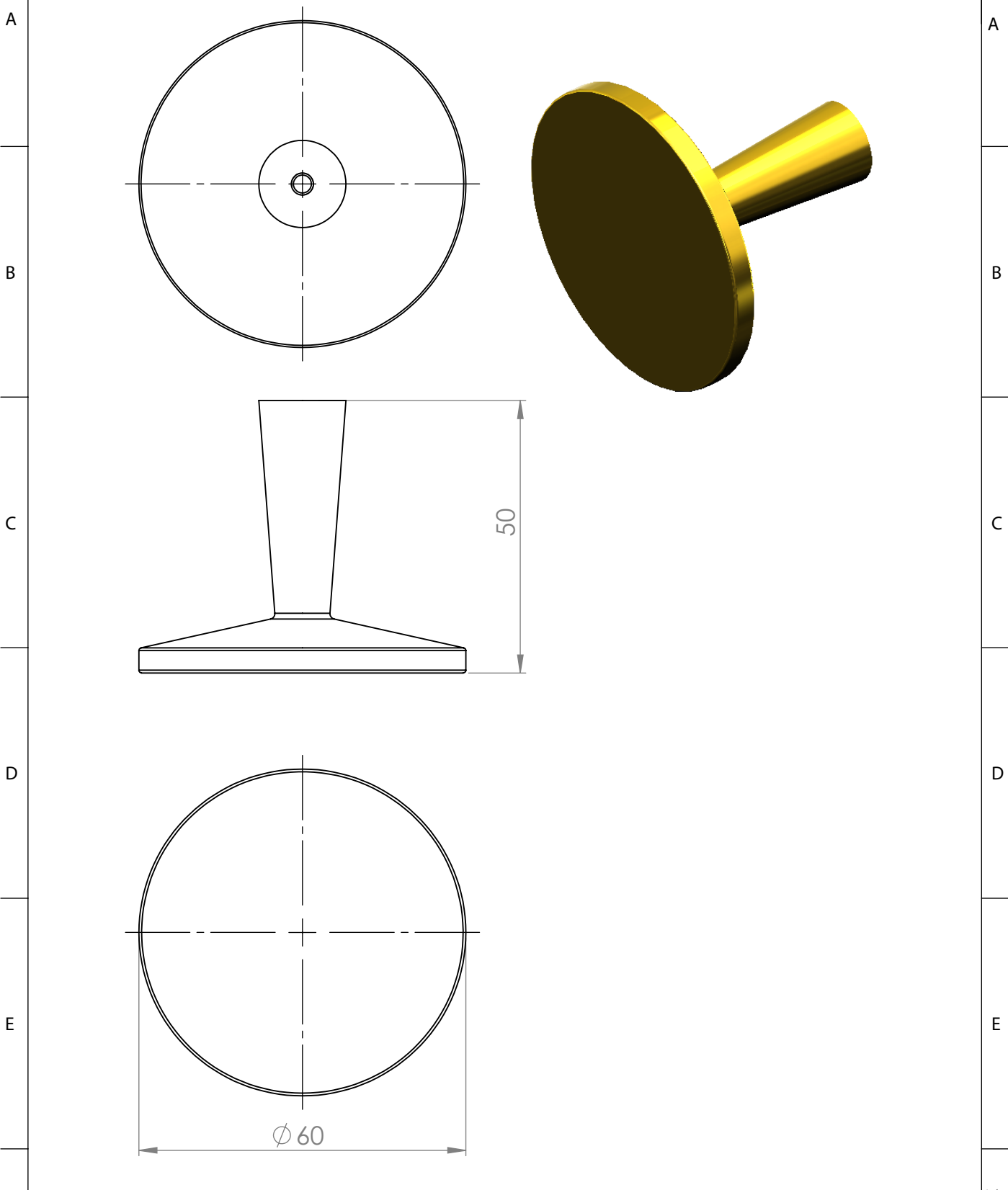


	1	2	3	4		
Rev	Note			CreatedBy	Appr.By	Appr.Date



			Tolerance		Project		
	Sign.	Date	Surface treatment		Weight	Scale	First angle projection
Drawn			Surface finish			1:1	
Appr.			Heat treatment		Material		Sheet
			Title/Description		Drawing number		1/1
			18104 BIG HOOK				Rev

HABO BRASS BIG ROUND HOOK